

PLEASE KEEP ME WITH YOUR PROOF OF PURCHASE FOR FUTURE REFERENCE



ASSEMBLY INSTRUCTIONS

140x80cm Casual Table with Ceramic Glass

(69122012)

ATTENTION:








1. Please read these instructions carefully before assembly
2. Aluminium is soft metal and over tightening may strip thread or break the part
1. **DO NOT** use power tools
3. Please allow 30 minutes for assembly.
4. Although assembly only requires 1 person it is advised that a second person be present to help turn the table over and into position when fully assembled.

ASSEMBLY STEPS:

1. Turn the table top (A) upside down on a soft clean surface
2. **LOOSELY** attach leg (B) to table top (A) with bolts (E) and big flat washers (F) using Allen key (G) **DO NOT TIGHTEN THE BOLTS AT THIS STAGE**
3. **LOOSELY** attach the ring (C) to legs (B) with bolts (E) and big flat washers (F) using Allen key (G) **DO NOT TIGHTEN THE BOLTS AT THIS STAGE**
4. Tighten all bolts using Allen key (G) one by one being careful not to over tighten any as this will cause the thread to become damaged
5. Turn over and place in desired position.
6. Place glass (D) back on table and gently press down on suckers to ensure glass is secure

For more information regarding maintenance of your furniture please visit

http://www.hartmanuk.co.uk/after_care_videos.html

Component's					Fixings				
Parts List	Parts Picture	Description	Q'ty	Part no	Parts list	Parts Picture	Description	Q'ty	Part no.
A		Table top	1	69122012A	E		M6*25 bolts	12	1231162
					F		Big Flat washers	12	1061162
B		Leg	4	69122012B	G		Allen Key	1	2002191
C		Ring	1	69122012C					
D		Glass	1	69122012D					

For replacement or lost spare parts please go to <http://faq.hartmanuk.co.uk/spares/>

Should you have any queries about your furniture your first point of contact should be the retailer from whom you purchased your product

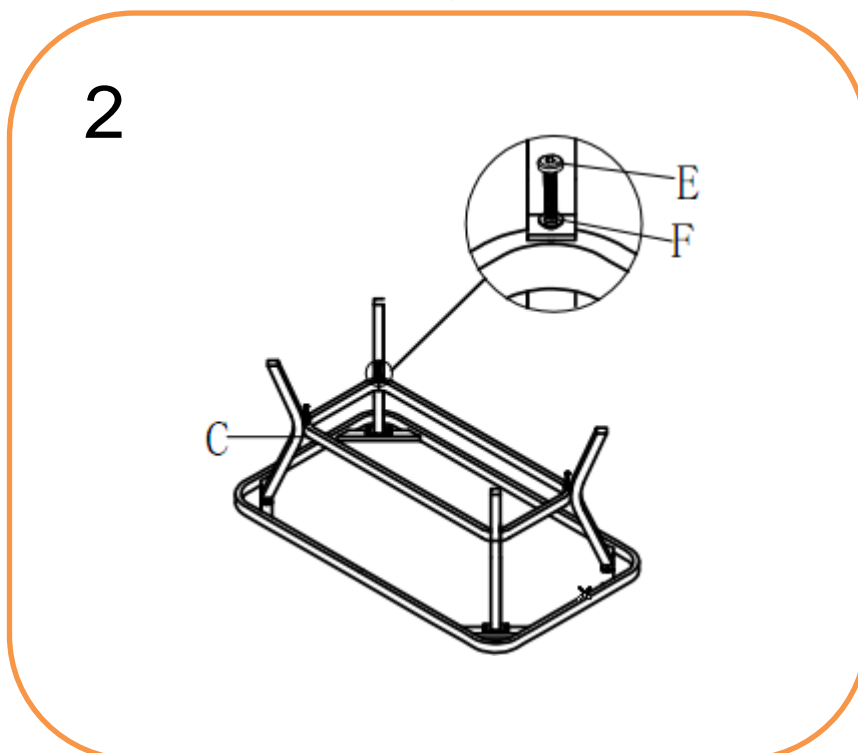
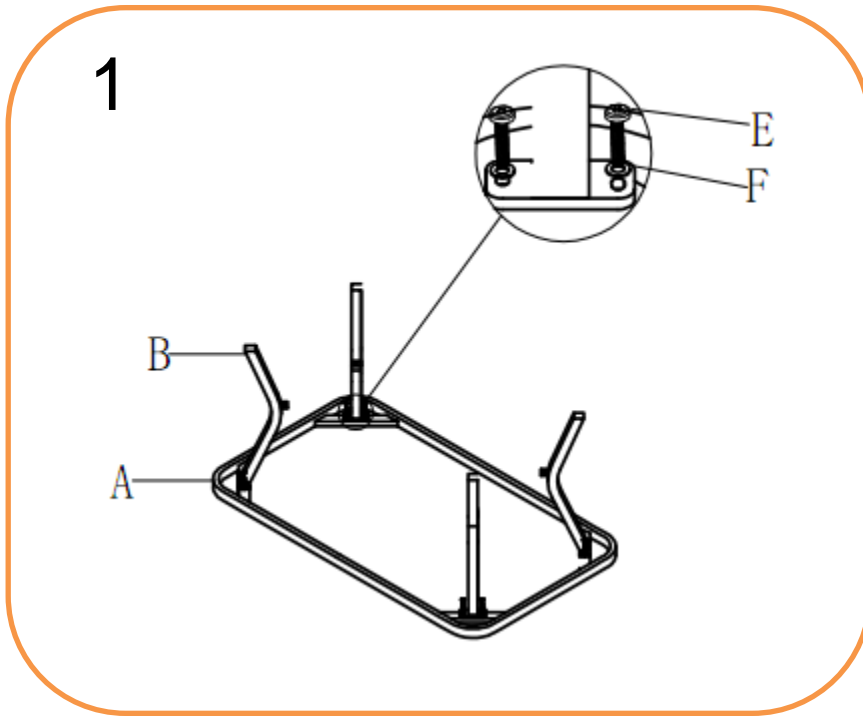
PLEASE KEEP ME WITH YOUR PROOF OF PURCHASE FOR FUTURE REFERENCE



ASSEMBLY INSTRUCTIONS

140x80cm Casual Table with Ceramic Glass

(69122012)

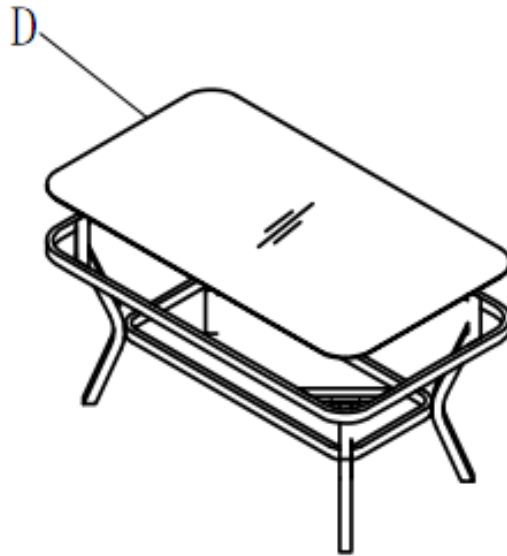


For replacement or lost spare parts please go to <http://faq.hartmanuk.co.uk/spares/>
Should you have any queries about your furniture your first point of contact should be the retailer from whom you purchased your product

PLEASE KEEP ME WITH YOUR PROOF OF PURCHASE FOR FUTURE REFERENCE



3



4



For replacement or lost spare parts please go to <http://faq.hartmanuk.co.uk/spares/>
Should you have any queries about your furniture your first point of contact should be the retailer from whom you purchased your product

PLEASE KEEP ME WITH YOUR PROOF OF PURCHASE FOR FUTURE REFERENCE

ASSEMBLY INSTRUCTIONS

Dubai Rectangular Corner Set

69121012

ATTENTION:

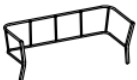










1. Please read these instructions carefully before assembly
2. Aluminium is soft metal and over tightening may strip thread or break the part
3. **DO NOT** use power tools
4. Please allow 30 minutes for assembly.
5. Although assembly only requires 1 person it is advised that a second person be present to help turn the table over and into position when fully assembled

LEFT HAND CORNER ASSEMBLY STEPS:

1. Turn the sofa (A) upside down on a soft clean surface
2. **LOOSELY** attach Seating panel(B) to the Sofa (A) with bolts(H), bolts(I) and big flat washers(J) using Allen key(K)
3. **LOOSELY** attach 2 legs (C) to Sofa (A) with bolts (I) and big flat washers (J) using Allen key (K) **DO NOT TIGHTEN THE BOLTS AT THIS STAGE**
4. **LOOSELY** attach middle leg (D) to seating panel (B) with bolts (I) and big flat washers (J) using Allen key (K)
5. Tighten all bolts using Allen key (K) one by one being careful not to over tighten any as this will cause the thread to become damaged
6. Turn Sofa over and place in desired position.
7. Place all cushions(E,F&G) on the sofa seat

For more information regarding maintenance of your furniture please visit

http://www.hartmanuk.co.uk/after_care_videos.html

Component's					Fixings				
Parts List	Parts Picture	Description	Q'ty	Part no	Parts list	Parts Picture	Description	Q'ty	Part no.
A		Sofa	1	69121012A	E		Seat cushion	1	69121012E
					F		Back cushion	3	69121012F
B		Seating panel	1	69121012B	G		Side cushion	1	69121012G
C		Rear legs	2	69121012C	H		M6*35 bolts	8	1111162
D		Middle leg	1	69121012D	I		M6*25 bolts	13	1231162
					J		Big Flat washers	21	1061162
					K		Allen Key	1	2002191

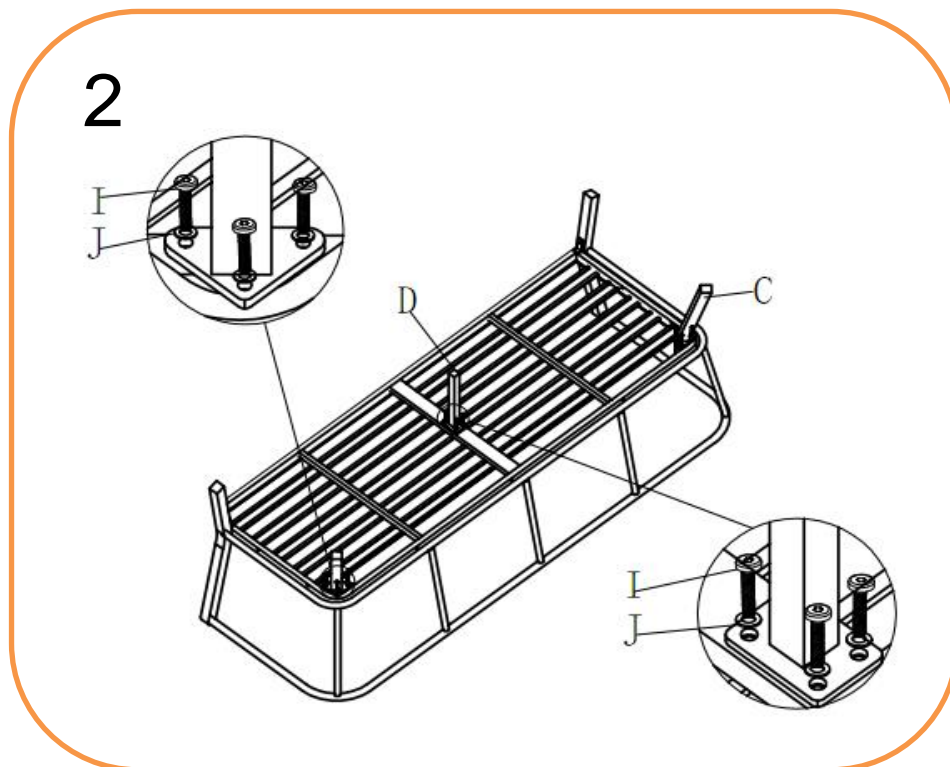
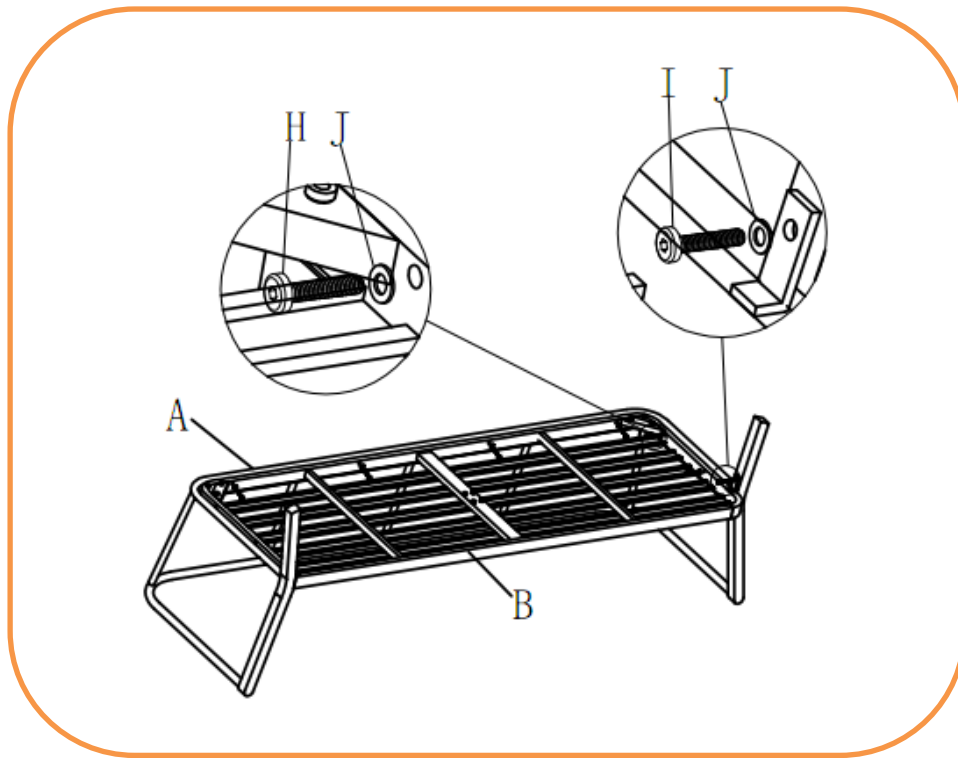
For replacement or lost spare parts please go to <http://faq.hartmanuk.co.uk/spares/>

Should you have any queries about your furniture your first point of contact should be the retailer from whom you purchased your product

PLEASE KEEP ME WITH YOUR PROOF OF PURCHASE FOR FUTURE REFERENCE
ASSEMBLY INSTRUCTIONS

Dubai Rectangular Corner Set – Left Hand Corner (A1)

(69121012)

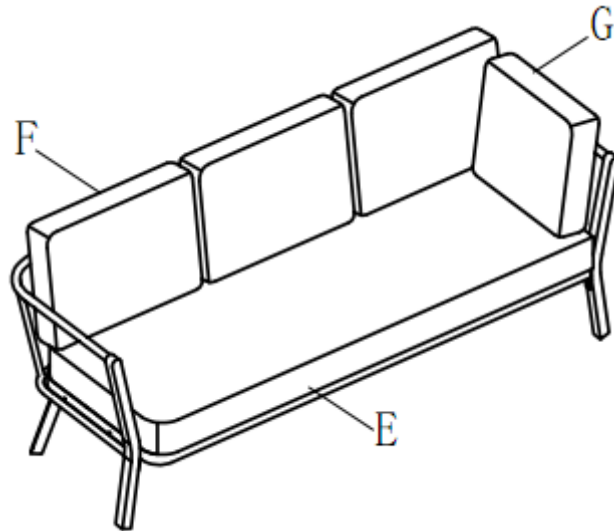


For replacement or lost spare parts please go to <http://faq.hartmanuk.co.uk/spares/>
Should you have any queries about your furniture your first point of contact should be the retailer from whom you purchased your product

PLEASE KEEP ME WITH YOUR PROOF OF PURCHASE FOR FUTURE REFERENCE



3



For replacement or lost spare parts please go to <http://faq.hartmanuk.co.uk/spares/>
Should you have any queries about your furniture your first point of contact should be the retailer from whom you purchased your product

PLEASE KEEP ME WITH YOUR PROOF OF PURCHASE FOR FUTURE REFERENCE

ASSEMBLY INSTRUCTIONS

Dubai Rectangular Corner Set

ATTENTION:




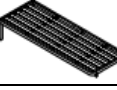






1. Please read these instructions carefully before assembly
2. Aluminium is soft metal and over tightening may strip thread or break the part
3. **DO NOT** use power tools
4. Please allow 30 minutes for assembly.
5. Although assembly only requires 1 person it is advised that a second person be present to help turn the table over and into position when fully assembled

RIGHT HAND CORNER ASSEMBLY STEPS:

1. Turn the sofa (A) upside down on a soft clean surface
2. **LOOSELY** attach Seating panel(B) to the Sofa(A) with bolts(G), and bolts(H) and big flat washers(I) using Allen key(J)
3. **LOOSELY** attach leg(C) to Seating panel (B) with bolts (H) and big flat washers (I) using Allen key (J) **DO NOT TIGHTEN THE BOLTS AT THIS STAGE**
4. **LOOSELY** attach middle leg(D) to Seating panel (B) with bolts (H) and big flat washers (I) using Allen key (J) **DO NOT TIGHTEN THE BOLTS AT THIS STAGE**
5. Tighten all bolts using Allen key (J) one by one being careful not to over tighten any as this will cause the thread to become damaged
6. Turn Sofa over and place in desired position.
7. Place all cushions (E&F) on the sofa seat

For more information regarding maintenance of your furniture please visit

http://www.hartmanuk.co.uk/after_care_videos.html

Component's					Fixings				
Parts List	Parts Picture	Description	Q'ty	Part no	Parts list	Parts Picture	Description	Q'ty	Part no.
A		Sofa	1	69121012A1	F		Back cushion	3	69121012F
					G		M6*35 bolts	6	1111162
B		Seating panel	1	69121012B1	H		M6*25 bolts	10	1231162
C		Leg	1	69121012C1	I		Big Flat washers	16	1061162
D		Middle leg	1	69121012D1	J		Allen Key	1	2002191
E		Seat cushion	1	69121012E					

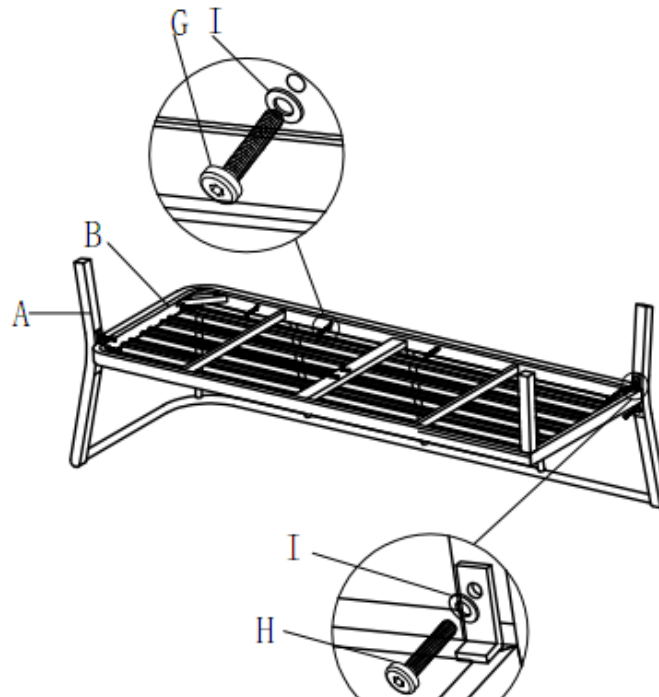
For replacement or lost spare parts please go to <http://faq.hartmanuk.co.uk/spares/>

Should you have any queries about your furniture your first point of contact should be the retailer from whom you purchased your product

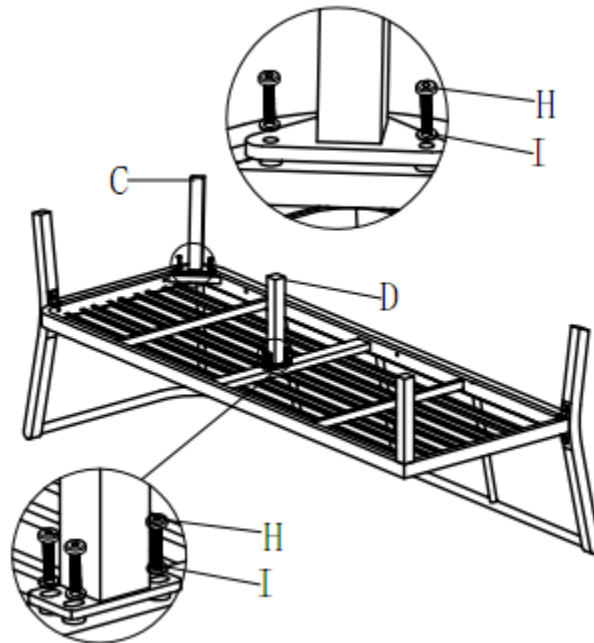
PLEASE KEEP ME WITH YOUR PROOF OF PURCHASE FOR FUTURE REFERENCE
ASSEMBLY INSTRUCTIONS

Dubai Rectangular Corner Set – Right Hand Corner (B1)

1



2

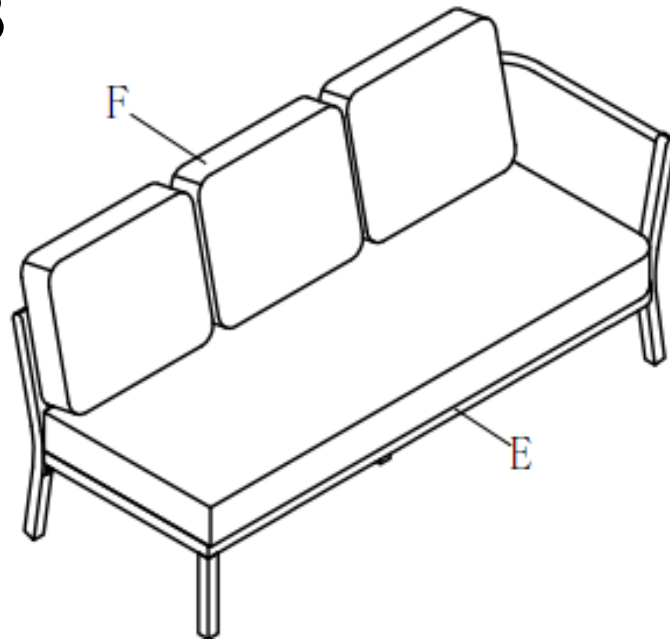


For replacement or lost spare parts please go to <http://faq.hartmanuk.co.uk/spares/>
Should you have any queries about your furniture your first point of contact should be the retailer from whom you purchased your product

PLEASE KEEP ME WITH YOUR PROOF OF PURCHASE FOR FUTURE REFERENCE



3



For replacement or lost spare parts please go to <http://faq.hartmanuk.co.uk/spares/>
Should you have any queries about your furniture your first point of contact should be the retailer from whom you purchased your product

PLEASE KEEP ME WITH YOUR PROOF OF PURCHASE FOR FUTURE REFERENCE

ATTENTION:




1. Please read these instructions carefully before assembly
2. Aluminium is soft metal and over tightening may strip thread or break the part
3. **DO NOT** use power tools
4. Please allow 30 minutes for assembly.
5. Although assembly only requires 1 person it is advised that a second person be present to help turn the table over and into position when fully assembled.

CORNER UNIT ASSEMBLY STEPS:

1. Position part (A) and part (B) ready for assembly
2. With 2 velcro straps (C) position over the section that adjoin parts (A1) and (B1).
3. Turn sofas over and place in desired position.

For more information regarding maintenance of your furniture please visit

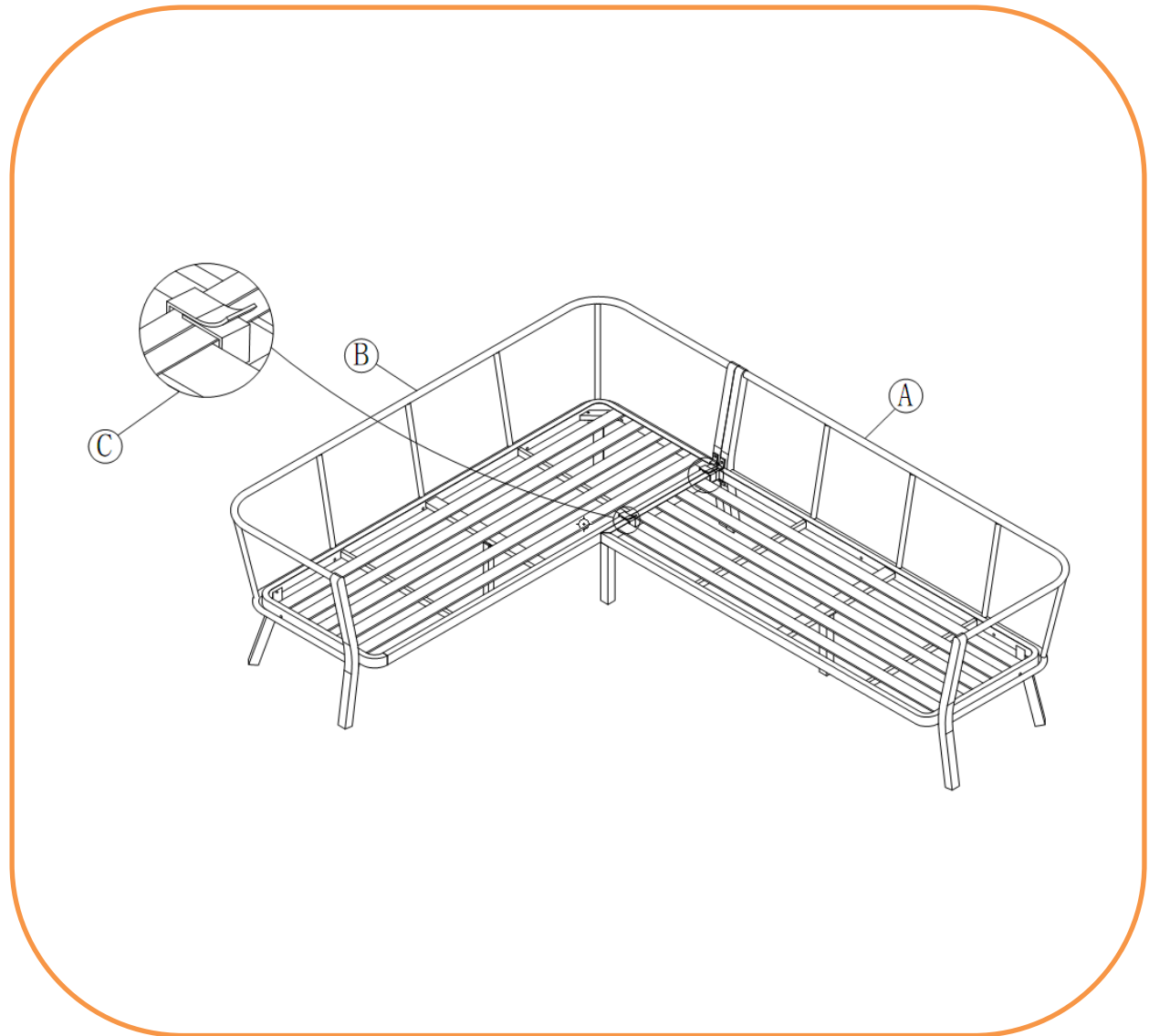
http://www.hartmanuk.co.uk/after_care_videos.html

Component's				Fixings					
Parts List	Parts Picture	Description	Q'ty	Part no	Parts list	Parts Picture	Description	Q'ty	Part no.
A		Sofa 1	1	69121012A1A	C		Velcro strap	2	
B		Sofa 2	1	69121012B1A					

For replacement or lost spare parts please go to <http://faq.hartmanuk.co.uk/spares/>

Should you have any queries about your furniture your first point of contact should be the retailer from whom you purchased your product

PLEASE KEEP ME WITH YOUR PROOF OF PURCHASE FOR FUTURE REFERENCE



For replacement or lost spare parts please go to <http://faq.hartmanuk.co.uk/spares/>
Should you have any queries about your furniture your first point of contact should be the retailer from whom you purchased your product

PLEASE KEEP ME WITH YOUR PROOF OF PURCHASE FOR FUTURE REFERENCE



ASSEMBLY INSTRUCTIONS

Dubai 140x45cm Long Stool (2 seater)

(69123012)

ATTENTION:







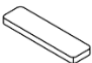
1. Please read these instructions carefully before assembly
2. Aluminium is soft metal and over tightening may strip thread or break the part
3. **DO NOT** use power tools
4. Please allow 30 minutes for assembly.
5. Although assembly only requires 1 person it is advised that a second person be present to help turn the table over and into position when fully assembled

ASSEMBLY STEPS:

1. Turn the seating panel (A) upside down on a soft clean surface
2. **LOOSELY** attach legs (B) to the seating panel (A) with bolts (E), and big flat washers (F) using Allen key (G)
3. **LOOSELY** attach ring (C) to assembled legs with bolts (E) and big flat washers (F) using Allen key (G) **DO NOT TIGHTEN THE BOLTS AT THIS STAGE**
4. Tighten all bolts using Allen key (G) one by one being careful not to over tighten any as this will cause the thread to become damaged
5. Turn Stool over and place in desired position.
6. Place seat cushion (D) on the stool

For more information regarding maintenance of your furniture please visit

http://www.hartmanuk.co.uk/after_care_videos.html

Component's				Fixings					
Parts List	Parts Picture	Description	Q'ty	Part no	Parts list	Parts Picture	Description	Q'ty	Part no.
A		Seating panel	1	69123012A	E		M6*25 bolts	12	1231162
					F		Big Flat washers	12	1061162
B		Leg	4	69123012B	G		Allen key	1	2002191
C		ring	1	69123012C					
D		Seat cushion	1	69123012D					

For replacement or lost spare parts please go to <http://faq.hartmanuk.co.uk/spares/>

Should you have any queries about your furniture your first point of contact should be the retailer from whom you purchased your product

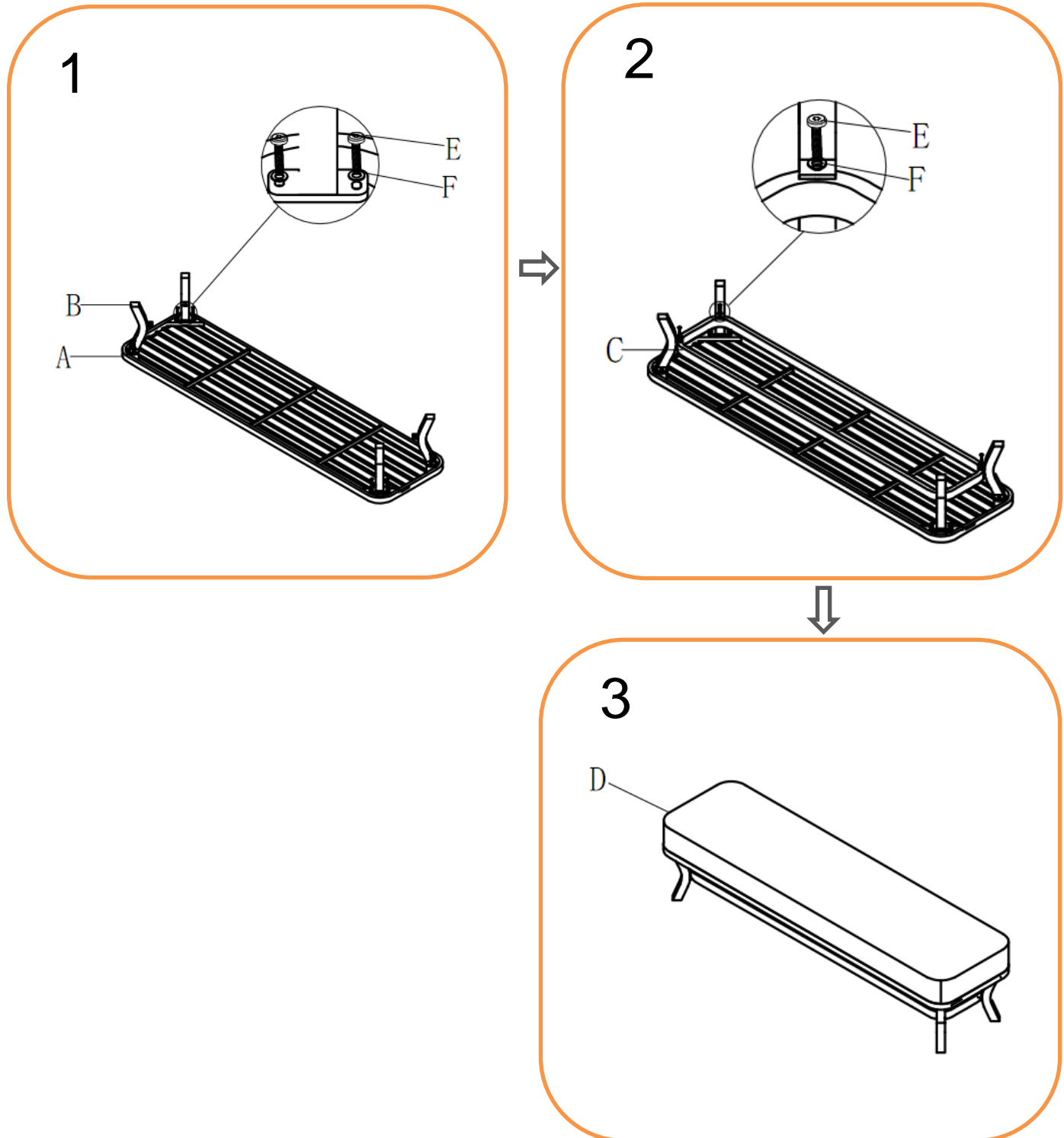
PLEASE KEEP ME WITH YOUR PROOF OF PURCHASE FOR FUTURE REFERENCE



ASSEMBLY INSTRUCTIONS

Dubai 140x45cm Long Stool (2 seater)

(69123012)



For replacement or lost spare parts please go to <http://faq.hartmanuk.co.uk/spares/>
Should you have any queries about your furniture your first point of contact should be the retailer from whom you purchased your product

PLEASE KEEP ME WITH YOUR PROOF OF PURCHASE FOR FUTURE REFERENCE



ASSEMBLY INSTRUCTIONS

Dubai Casual Dining Chair

(69020012)










ATTENTION:

1. Please read these instructions carefully before assembly
2. Aluminium is a soft metal and over tightening may strip the thread or break the part
3. **DO NOT** use power tools
4. Please allow 30 minutes for assembly.
5. Although assembly only requires 1 person it is advised that a second person be present to help turn the chair over and into position when fully assembled

ASSEMBLY STEPS:

1. Turn the chair (A) upside down on a soft clean surface
2. **LOOSELY** attach Seating panel (B) to the chair (A) with 4 bolts (F), 2 bolts (G) and 6 big flat washers (H) using Allen key (I)
3. **LOOSELY** attach 2 legs (C) to Chair (A) with 6 bolts (G) and 6 big flat washers (H) using Allen key (I) **DO NOT TIGHTEN THE BOLTS AT THIS STAGE**
4. Tighten all bolts using Allen key (I) one by one being careful not to over tighten any as this will cause the thread to become damaged
5. Turn Chair over and place in desired position.
6. Place all cushions (D & E) on the chair

For more information regarding maintenance of your furniture please visit www.hartmanuk.com

Component's					Fixings				
Parts List	Parts Picture	Description	Q'ty	Part no	Parts list	Parts Picture	Description	Q'ty	Part no.
A		chair	1	69020012A	F		M6*35 bolts	4	1111162
					G		M6*25 bolts	8	1231162
B		Seating panel	1	69020012B	H		Big Flat washers	12	1061162
C		Leg	2	69020012C	I		Allen Key	1	2002191
D		Seat cushion	1	69020012D					
E		Back cushion	1	69020012E					

For replacement or lost spare parts please go to <http://faq.hartmanuk.co.uk/spares/>

Should you have any queries about your furniture your first point of contact should be the retailer from whom you purchased your product

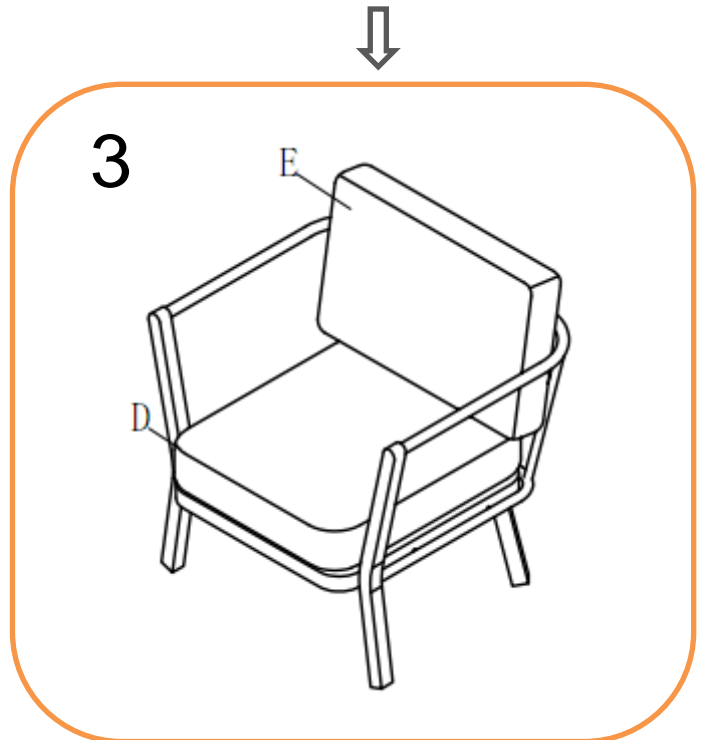
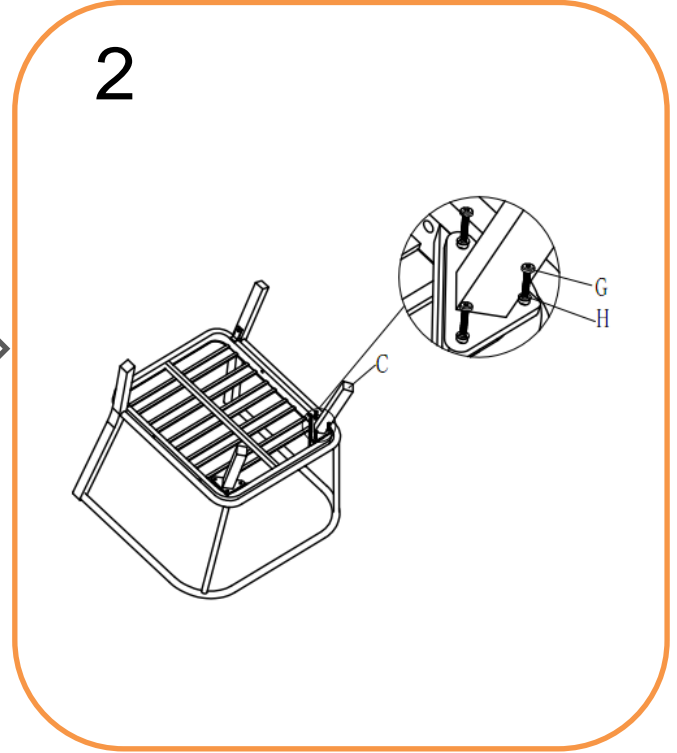
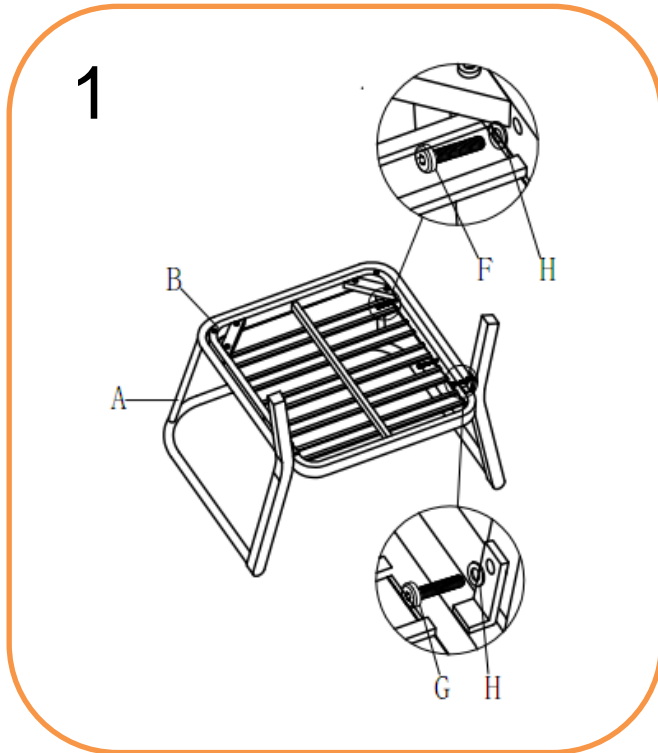
PLEASE KEEP ME WITH YOUR PROOF OF PURCHASE FOR FUTURE REFERENCE



ASSEMBLY INSTRUCTIONS

Dubai Casual Dining Chair

(69019012 / 69020012 / 69119012 / 69121012)



For replacement or lost spare parts please go to <http://faq.hartmanuk.co.uk/spares/>
Should you have any queries about your furniture your first point of contact should be the retailer from whom you purchased your product