

PLEASE KEEP ME WITH YOUR PROOF OF PURCHASE FOR FUTURE REFERENCE



## ASSEMBLY INSTRUCTIONS

### ROMA PERGOLA

(68543009)

#### ATTENTION:.

1. Please read these instructions carefully before assembly
2. Aluminium is soft metal and over tightening may strip thread or break the part
3. **DO NOT** use power tools you will need a Philips screwdriver to assemble the pergola
4. Please allow 60 minutes for assembly
5. Assembly will require 2 people and the use of a tall step ladder

#### ASSEMBLY STEPS:

1. Lay out beams (A, B,C, C1, D& Y) and attach beams(C1&D,C&D) together using screws(Z), decorative end (G) to each end of beams using mallet (T) to gently tap them in
2. Push legs (E) into base plate (H) and using a Philips screwdriver attach the bolts and washer (K)
3. Push beams (C1&D,C&D) into top of legs (E) using mallet (T) to gently tap them in
4. Hold leg sections up and attach beams (B) to either end of pergola using mallet (T) to gently tap them in
5. Attach end caps (M) to top of legs (E)
6. Attach beam (A) to centre of pergola and beam(Y) on the two sides of (A)using mallet (T) to gently tap them in
7. Hook double rings (I) to hook on beam (A& C,D)
8. Attach canopy (Q) to single and double rings across pergola frame
9. Insert canopy supports (F,N) through and into canopy (Q) attach canopy end supports to canopy supports (N)
10. Thread cord (O) through runners on beams (C & C1). Follow image below.
11. Attach bracket (V) to leg (E) with bolts (S) same side as beam (C1&D)
12. Fit canopy cover (U) to top of pergola nearest to beam (C1) so it covers the canopy when closed
13. Attach legs (E) to floor using bolts (L) or nails (P) if attaching to grass
14. Canopy holder ( R ) can be attached when required to hold canopy in place

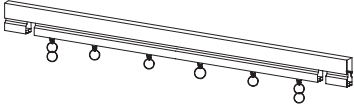
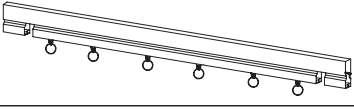





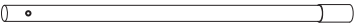
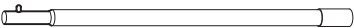
For more information regarding maintenance of your furniture please visit

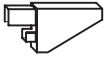



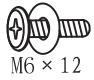
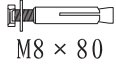


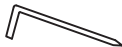
[http://www.hartmanuk.co.uk/after\\_care\\_videos.html](http://www.hartmanuk.co.uk/after_care_videos.html)

For replacement or lost spare parts please go to <http://faq.hartmanuk.co.uk/spares/>

**Should you have any queries about your furniture your first point of contact should be the retailer from whom you purchased your product**

PLEASE KEEP ME WITH YOUR PROOF OF PURCHASE FOR FUTURE REFERENCE

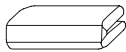








Parts List	Parts Picture	Description	Qty	Part No
A		Beam	1	68543009A
B		Beam	2	68543009B
Y		Beam	4	68543009Y
C		Beam	1	68543009C
C1		Beam	1	68543009C1
D		Beam	2	68543009D
E		Leg	4	68543009E
N		Canopy Support Ends	6	68543009N
F		Canopy Supports	6	68543009F

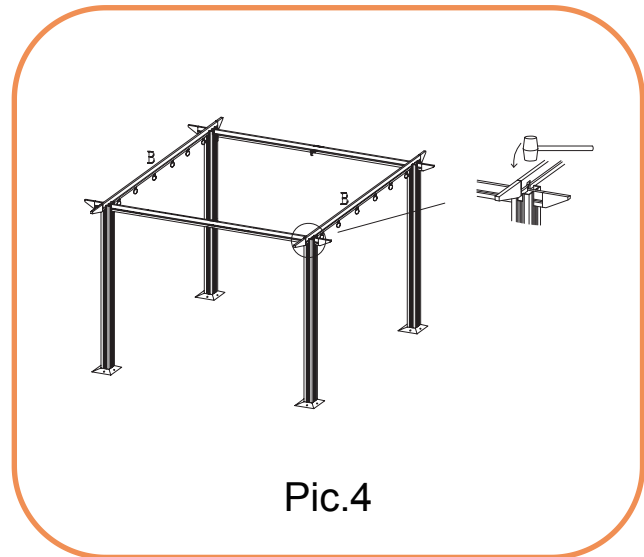
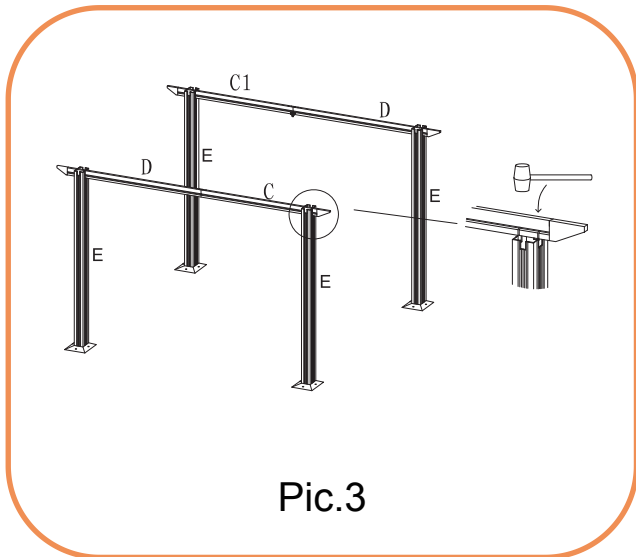
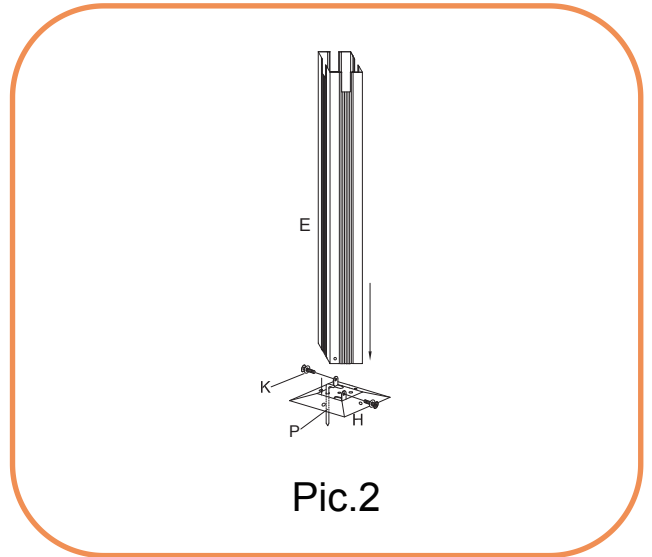
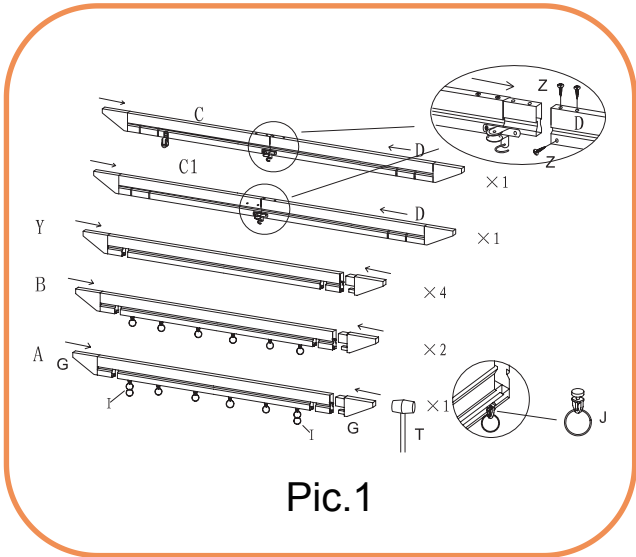
Parts List	Parts Picture	Description	Qty	Part No
G		Decorative beam End	18	1401163
H		Base Plate	4	1411163
I		Double Ring runner	2	1411165
J		Single Ring runner	16	1411166
K	 M6 x 12	Bolt & Washer	8	1411167
L	 M8 x 80	Fixing Bolt	16	1411168
M		End Cap	16	1411169
O		Cord	1	1411171
P		Peg	4	1411183

For replacement or lost spare parts please go to <http://faq.hartmanuk.co.uk/spares/>

Should you have any queries about your furniture your first point of contact should be the retailer from whom you purchased your product

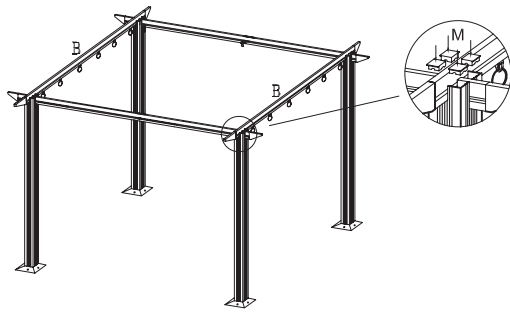
PLEASE KEEP ME WITH YOUR PROOF OF PURCHASE FOR FUTURE REFERENCE

Q		Canopy	1	68543009Q
R		Canopy Holder	1	68543009R
S		Bolt	2	1561182
T		Mallte	1	1411175
U		Canopy Cover	1	68543009U
V		Bracket	1	1411178
W		Touch Up Pen	1	1411177
X		Toggle Tie	8	1411179
Z		Bolt	6	1600001

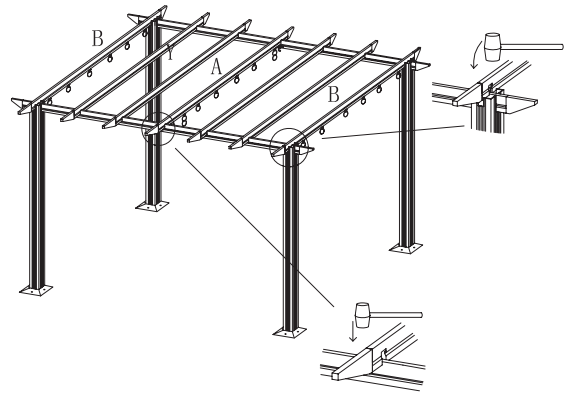


For replacement or lost spare parts please go to <http://faq.hartmanuk.co.uk/spares/>  
 Should you have any queries about your furniture your first point of contact should be the retailer from whom you purchased your product

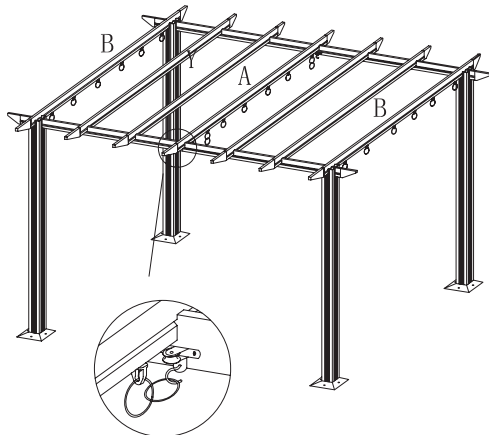
PLEASE KEEP ME WITH YOUR PROOF OF PURCHASE FOR FUTURE REFERENCE



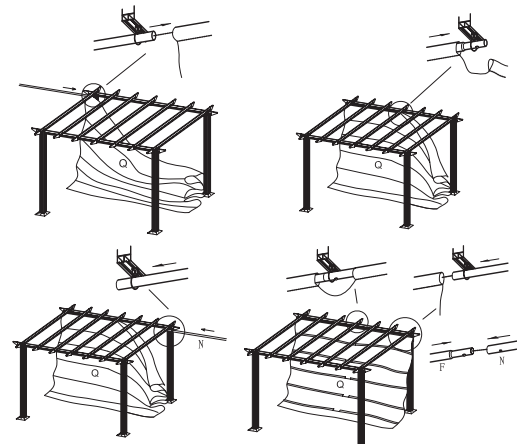
Pic.5



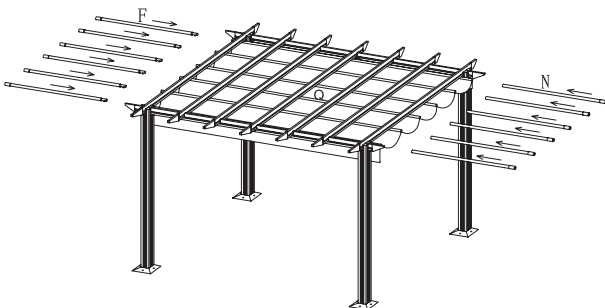
Pic.6



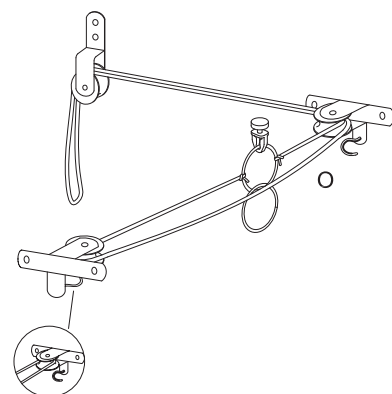
Pic.7



Pic.8



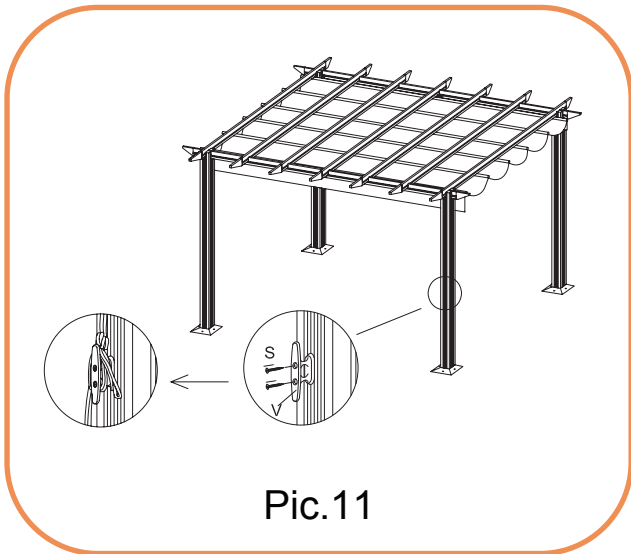
Pic.9



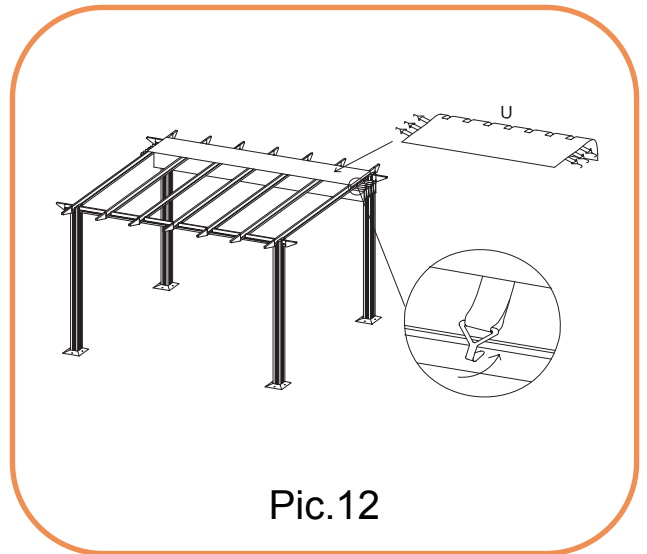
Pic.10

For replacement or lost spare parts please go to <http://faq.hartmanuk.co.uk/spares/>  
Should you have any queries about your furniture your first point of contact should be the retailer from whom you purchased your product

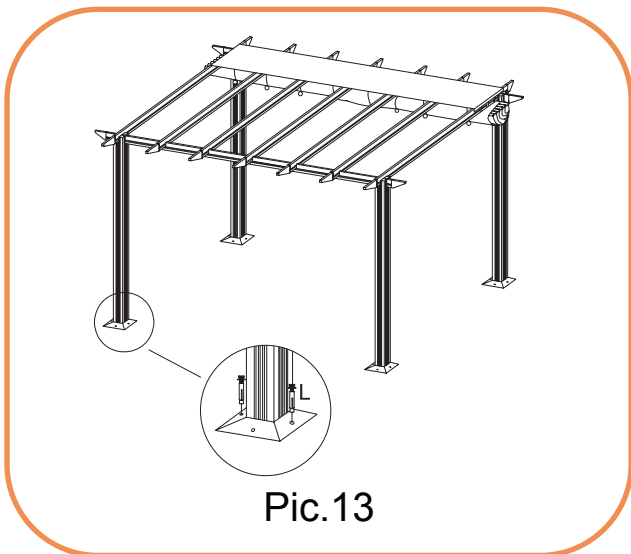
PLEASE KEEP ME WITH YOUR PROOF OF PURCHASE FOR FUTURE REFERENCE



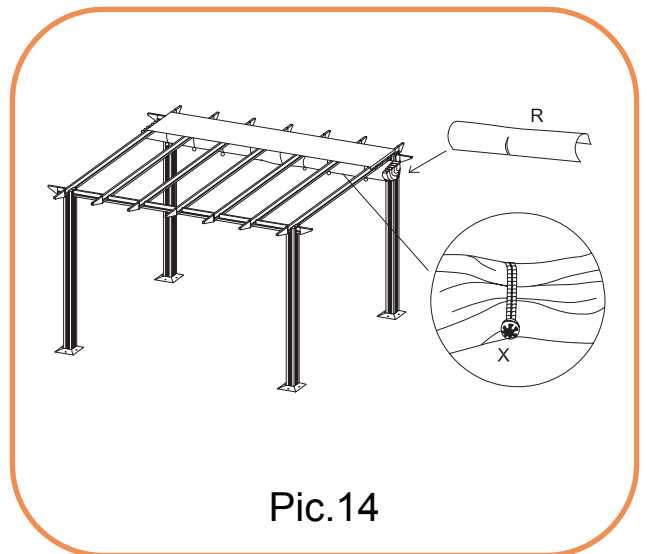
Pic.11



Pic.12



Pic.13



Pic.14

For replacement or lost spare parts please go to <http://faq.hartmanuk.co.uk/spares/>  
Should you have any queries about your furniture your first point of contact should be the retailer from whom you purchased your product